

STAND & DELIVER with GRISWOLD'S 811 SERIES

ANSI Centrifugal Pumps for The Processing Industry

Choosing to be NOT just one of the OTHER centrifugal pump companies, Griswold's 811 ANSI centrifugal pumps are manufactured using the most stringent quality standards, are made from the finest materials and have a proven track record. Available in a wide range of sizes, materials options and capacities these pumps offer high performance, simplified maintenance and reduced cost of ownership compared too many of the competitor pumps available on the market today. Griswold offers all of this with the shortest ANSI pump lead-time in the industry.

When your fluid pumping challenges seem insurmountable and you feel like the other guys are not giving your business the attention it needs, contact your local Griswold Distributor today and request the 811 Series ANSI centrifugal pump – you won't be disappointed!

QUALITY · VALUE · DELIVERY



FEATURES & BENEFITS:

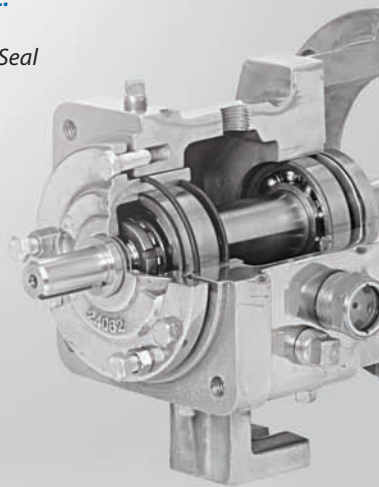
- ANSI B73.1m Compliant
- Flow rates up to 7,500 GPM
- Heavy Duty, Robust Design
- Fully Open Impeller
- Magnetic Drain Plug
- Extra Large Capacity Epoxy Coated Oil Sump
- Labyrinth Seals – Standard
- Standard power frames are up to 30% stronger than competitor's power frames
- Registered Alignment Between Frame and Adapter

SEAL TYPES AVAILABLE:

- Single Inside Seal
- Conventional Double Seal
- Single Cartridge Seal
- Double Cartridge Seal
- Double Gas Barrier Seal
- Packing

MATERIALS AVAILABLE:

- Ductile Iron
- 316 Stainless Steel
- CD4MCu
- Alloy 20



GRISWOLD™

A DOVER COMPANY

CUSTOMER SATISFACTION – OUR MAIN FOCUS

At Griswold, our commitment to your success extends way beyond our top-of-the-line products. We have structured our staff, systems and inventory to deliver consistent high-level solutions for meeting your most

critical equipment and time sensitive delivery needs. We pride ourselves in providing what you need and when you need it.

- **ENGINEERING & CUSTOMER SUPPORT**
- **INVENTORY OPTIMIZATION**
- **FASTEST LEAD TIMES IN THE INDUSTRY**

INDUSTRIES SERVED

Griswold Pump is no newcomer to pumps. With product lines dating back over 70 years, you'll find a wealth of industry knowledge and experience behind every Griswold product. With more than 100,000 pump installations worldwide and our international distribution network, Griswold excels in a broad range of chemical process, industrial and municipal applications.

- Oil & Gas
- Chemical
- Petrochemical
- Water Treatment
- Pulp & Paper
- Breweries
- Grain Processing
- Food Processing
- Poultry Processing
- Automotive
- Pharmaceutical
- Steel
- Semiconductor
- Power Generation
- Textile

REGISTERED ALIGNMENT

Griswold's C-face motor adapter attached directly to the precision machined fit on the power frame. Register fits on both ends of the adapter lock into a standard C-face motor, guaranteeing both parallel and angular alignment. This quick, yet precision installation minimizes time spent aligning shaft couplings, and eliminates seal and bearing replacements caused by misalignment.

GRISWOLD'S QUALITY COMMITMENT

	GRISWOLD	COMPETITION
Epoxy Coated Interior:	YES	NO
Cast Iron Tensile Strength XLTX Frames:	30,000 lbs	20,000 lbs
Ductile Iron Tensile Strength STX Frames:	65,000 lbs	60,000 lbs

SUCTION / DISCHARGE

- 1 1/2" x 1"
- 2" x 1"
- 3" x 1 1/2"
- 3" x 2"
- 4" x 3"
- 6" x 4"

SIZE AVAILABILITY:



22069 Van Buren St., Grand Terrace, CA 92313
Phone: 229-226-5255 Fax: 229-226-5567

email: griswold@griswoldpump.com www.griswoldpump.com

Your Authorized Distributor: