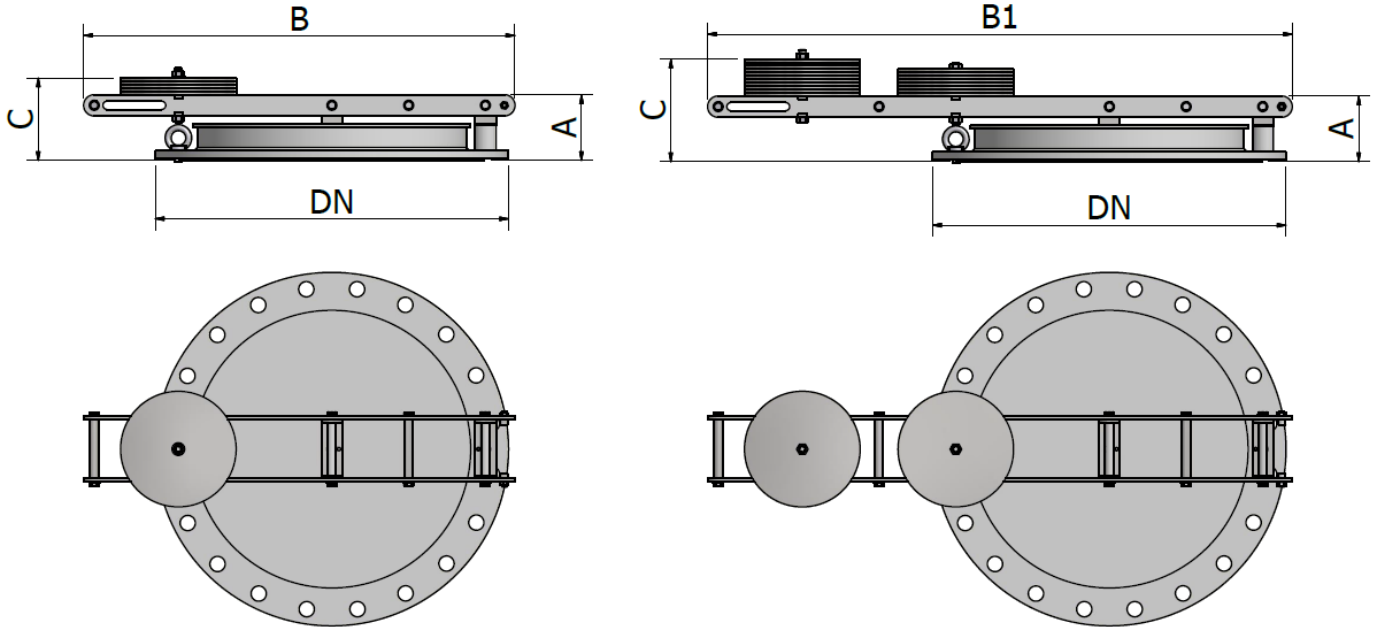


EMERGENCY VENT

THE BEST SOLUTION FOR YOUR SAFETY

The emergency valve is sized to relieve the internal pressure of the tank if it exceeds a predetermined level. They are also used in cases where the pressure exceeds the capacity of the breathing valve. The 20 "and 24" diameter valves can also be used as doors. The requirements relating to the discharge of overpressures can be calculated according to the API 2000 standard.



| | | | | | | | | | |
|----|---|-----|-----|------|------|------|------|------|------|
| DN | 250 | 300 | 350 | 400 | 450 | 500 | 600 | 700 | 750 |
| A | 125 | 130 | 135 | 142 | 146 | 150 | 156 | 165 | 170 |
| B | 640 | 690 | 738 | 795 | 850 | 901 | 1025 | 1150 | 1275 |
| B1 | 832 | 904 | 975 | 1065 | 1140 | 1204 | 1390 | 1555 | 1785 |
| C | VARIABLE MEASUREMENT FROM VALVE CALIBRATION | | | | | | | | |

All measurements are expressed in mm (international metric system S.I.), the dimensions may vary for different reasons, for greater dimensional accuracy ask for the detailed drawing of the selected product.

TECHNICAL DATA STANDARD PRODUCT

Settings:

Pressure: +10 mbarg up to +100 mbarg
 +100 mmH2O up to +1000 mmH2O

Operating temperature:

-29 °C up to +140 °C continue
 (+210 °C Max working Peak)
 -20,2 °F up to +284 °F continue
 (+410 °F Max working Peak)

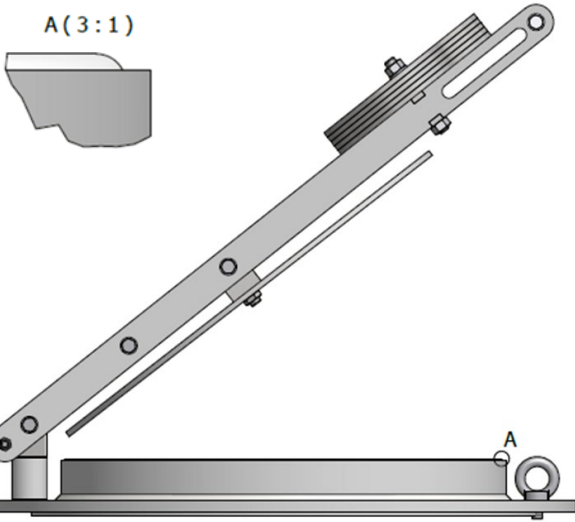
if you need non-standard calibrations or temperatures, we will try in every way to satisfy your request!

MATERIAL OF CONSTRUCTION

| Housing | Seat/Pallet | Sealing | Weights | Leverage |
|-----------------------|---------------|----------------|---------------------|---------------|
| Aluminium | 316 Stainless | Viton | 316 Stainless steel | 316 Stainless |
| Stainless steel | | PTFE | PTFE | |
| Carbon steel | | FEP teflon | ETFE coated | |
| Other exotic material | | Metal to metal | HALAR coated | |

TECHNOLOGY OF EMERGENCY VENT

A (3:1)

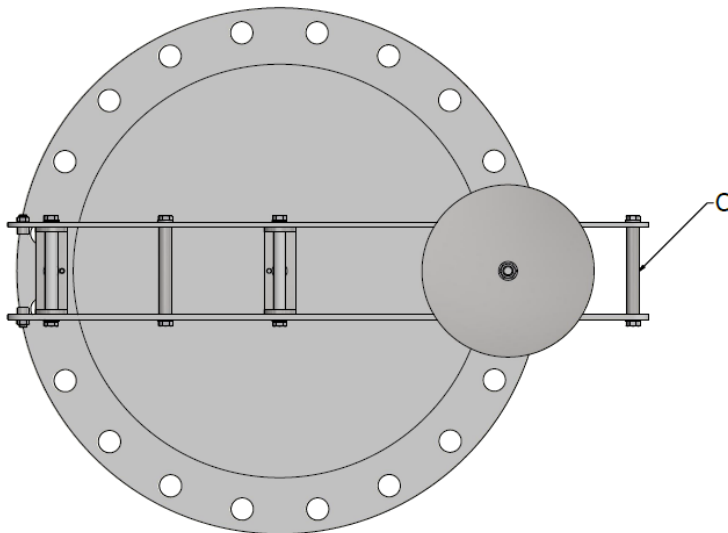


VIEW-A

Thanks to the o-ring, this valve has a better seal, guarantees a longer life than a traditional gasket. It also facilitates maintenance work, it is easier to check its status and reduces replacement times by 80%.

VIEW-B

The new valve is equipped with an arm lever, for a more accurate and lighter calibration with the same set, facilitating the opening of the plate. Pin B limits its stroke during the emergency opening phase, to prevent it from hitting the tank roof.



VIEW-C

The handle at the bottom of the lever ensures a comfortable and safe opening of the plate.





HISTORY

INNOVA s.r.l. is an Italian metalworking company founded in October 2018.

The company was established to expand the SAIAPCK s.r.l. with the acquisition of the TANK PROTECTION DIVISION, branch of FNC.

SAIAPCK s.r.l., founded in 2012 with headquarters in MILAN (already a purchaser of the activity of BIMEC snc, founded in 1983), expert in precision machining and industrial automation. TANK PROTECTION DIVISION, specialist in the production of valves and systems for the protection of tanks and plants of low pressure.

INNOVA srl, despite being a young company, for its activity, it can immediately trust the professionalism, competence and experience of the staff of the two old companies and the reputation of their products on the market.

The fusion of the technological and mechanical know-how of SAIAPCK and the product and market know-how of TANK PROTECTION DIVISION has resulted in a perfect combination for worldwide development.

PRODUCTS

Currently the company is able to provide processing and assembly services for third parties through the OMAW division as well as propos-

als and solutions for industrial automation; the FNC VALVES division manufactures innovative products for the safety of storage facilities such as breather valves, flame arresters and a wide range of accessories for tanks and gas lines.

QUALITY

The company is ISO9001 and ATEX 2014/34 / UE certified with more than 250 type certifications according to ISO16852 in addition to the innumerable certifications related to the different applications (PED, DNV-GL, TR-CU, etc.).

MISSION

Providing real improvement proposals through innovation to satisfy customers by differentiating from commodities and low cost alternatives; expanding the business globally through rapid but structured growth, creating profit through process improvement and the satisfaction of all stakeholders with a particular focus on the quality of life of employees.

VISION

Excellence in service for automation and world leadership in the production of safety devices for plants.

INNOVA SRL

VIA ENRICO FERMI 4, 20080 ZIBIDO SAN GIACOMO (MI) - VAT: IT 07599570962

SALES@INNOVA-ITA.IT – WWW.INNOVA-ITA.IT