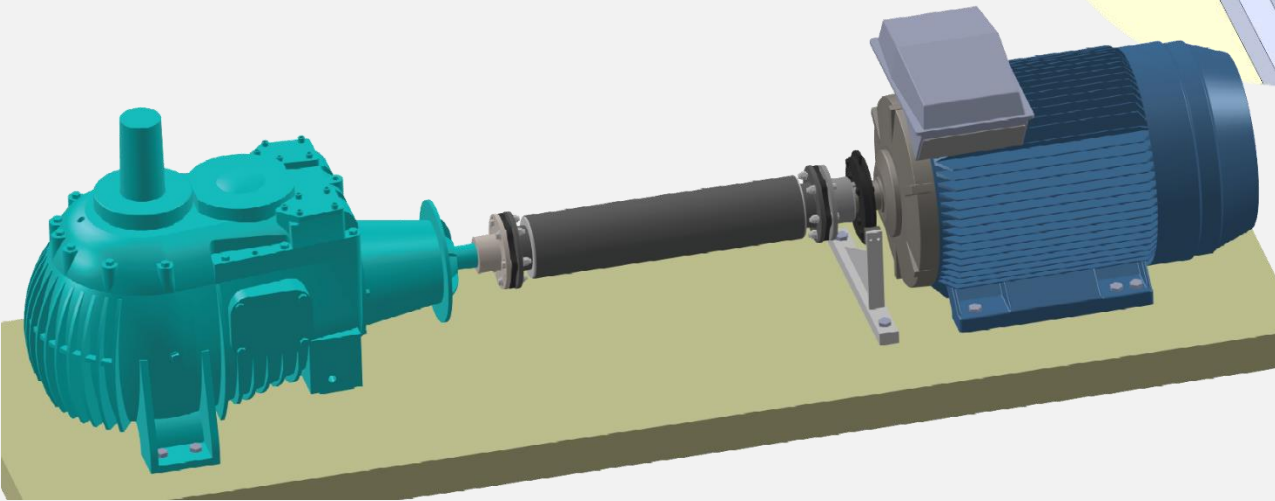
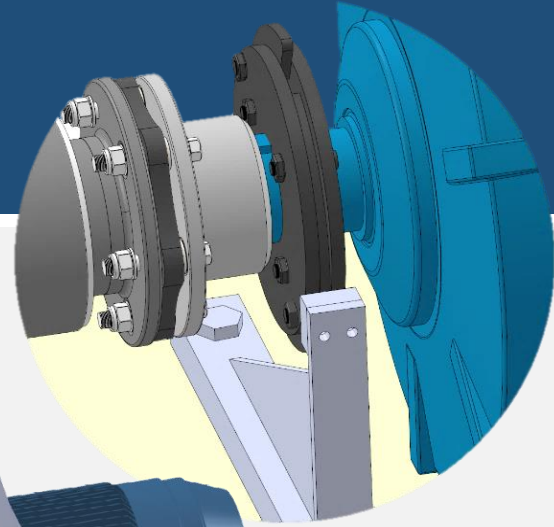


Backstop Safety Device

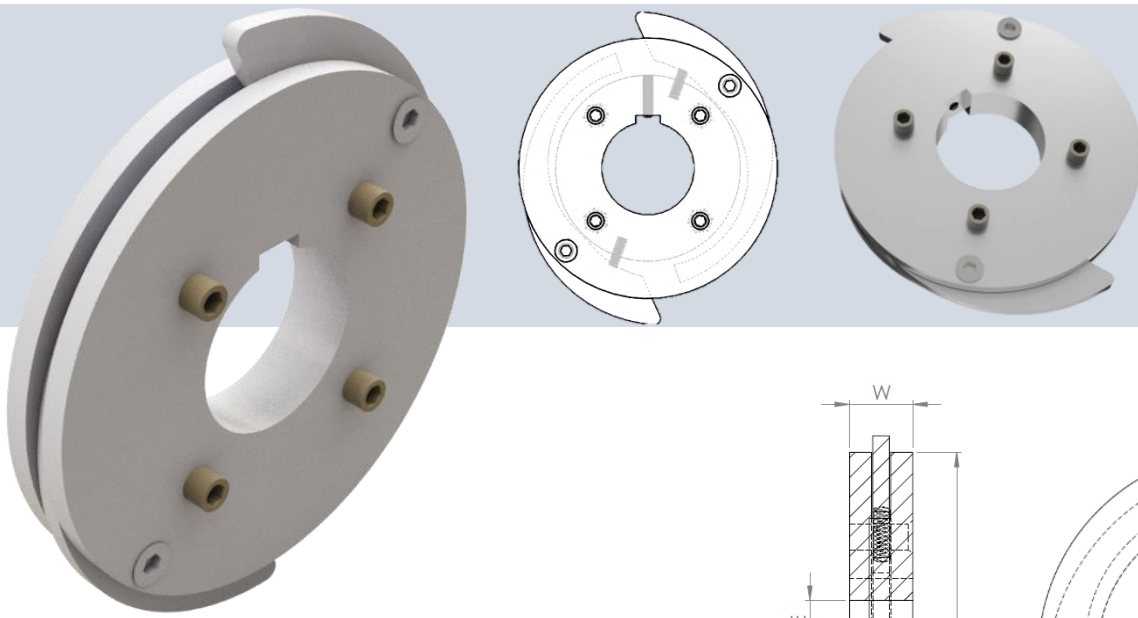


Cooling Tower Drive Equipment Backstop

Product Flyer

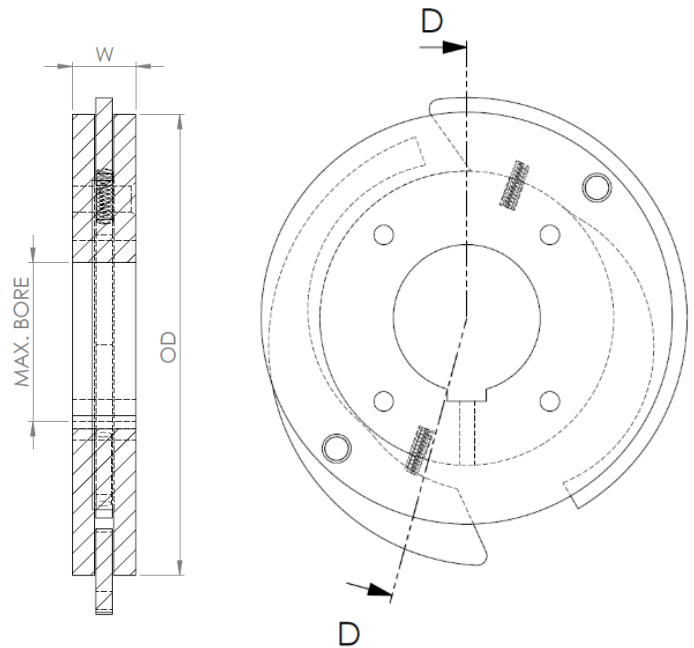
Cooling Tower Equipment Safety Device

NSCT Cooling Towers[®]



Features

- Automatic anti-reversal engagement.
- Customized as per site requirements.
- Corrosion resistant and modular assembly.
- Enhanced on-site safety.
- Minimum equipment downtime.
- Compatible with all makes of cooling towers.



Backstop

NSCT drive equipment backstop is a custom designed, rugged duty safety device which is directly mounted onto to the motor shaft. The device is made from a sturdy stainless-steel construction, designed for continuous operation. Its is a spring actuated device that allows rotation in one direction only.

Purpose

The purpose of installing a backstop is to prevent stand-by fans from reverse rotation when the other duty fans are operating. This eliminates the chances of windmilling in the reverse direction before the motor starts ups, which can severely damage the cooling tower electro-mechanical equipment. It is a safety device that helps protect plant personnel, fans, fan cylinders, motors, gearboxes and drive shafts.

Working Principle

The device consists of two fins that operate within in a housing, which is a type of ratchet mechanism. During forward rotation of the motor shaft, the fins press down against the backstop support block. On reversal of the rotation direction, the fins interfere with the backstop support block, thereby inhibiting it's revere rotation.

Caution: With a backstop device installed on to the motor shaft, the cooling tower must never be operated in the reverse direction. At the time of installation, one must check the direction of rotation of the motor drive.

Ease of Installation

The backstop is designed to be a modular assembly with minimum on-site installation time. The hub bore is machined as per the motor shaft diameter. The backstop support block is adjustable to make a proper alignment at the site.

Service Life

NSCT backstops guarantee long service lives with maximum uptime due to their simple design, made from corrosive resisatant materials. They are available in both SS-304, SS-316 as per the customer needs.

North Street Cooling Towers Pvt. Ltd.

C-14, Sector- 22, Meerut Road Industrial Area,
Ghaziabad- 201003, UP, India.

Phone No: +91-120-2788571, 2788572, Fax No: 91-120-2788574

E-mail: sales@nsctpl.in; mehul@nsctpl.in

Website: www.nsctpl.com

