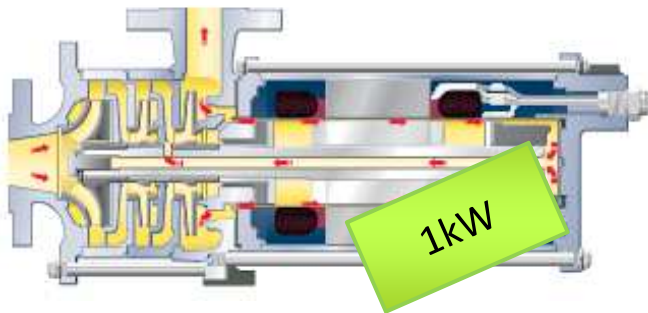


## Hermetic CMP:

- large range
- design pressure: 16bar – 1200bar
- flow rates: 1 -2500m<sup>3</sup>/h
- differential head: 5 – 2500m

Diff. head: 15 m  
Weight : 0,027t



Diff. head: 2300m  
Weight : 7,5t

690kW

